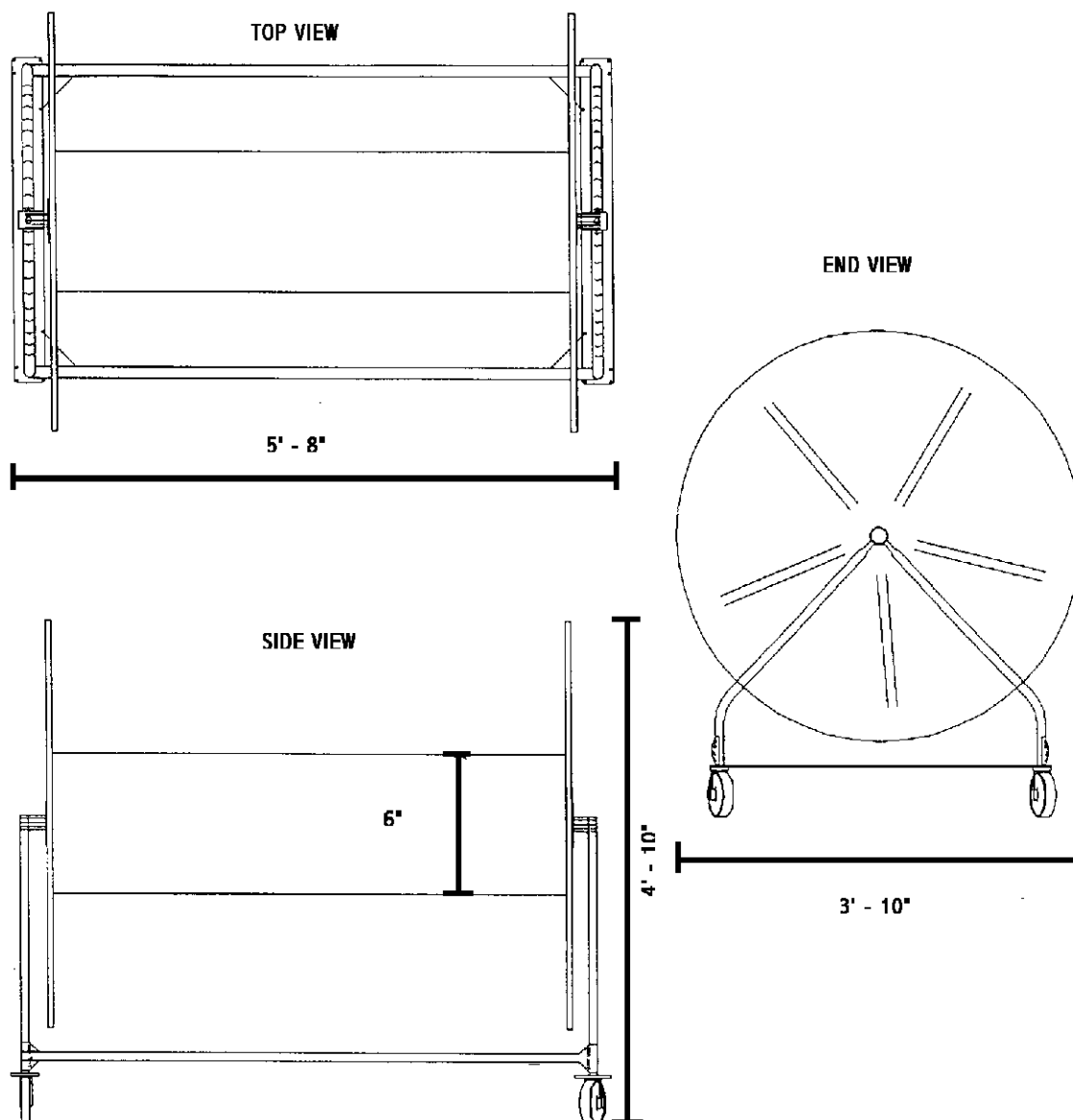


## COMPETITOR® STOR-LANE®

Carriage Frame assembly is constructed of tubular anodized aluminum, finished in a blue powder coating. Carriage Frame supports a Reel Assembly of 46" ABS Thermo formed Reel Disks and a 6" Reel Core of PVC piping. The Reel Core is supported by three (3) galvanized steel threaded rods that transverse the Reel Assembly. The Reel Core rides on a 6" Nylon bearing that is mounted on the outer portion of the Reel Disk. The Carriage Assembly is mounted on four (4) 5" Swivel Casters with individual friction brakes. Ref. COMPETITOR® part no# 200350. COMPETITOR® offers a custom fit vinyl cover (#200351)sold separately.



**COMPETITOR® Swim Products \* PO Box 1298. \* Medina, Ohio 44258**  
**Tel: 800.888.7649 Fax: 330.722.8354 E-Mail: sales@competitorswim.com**